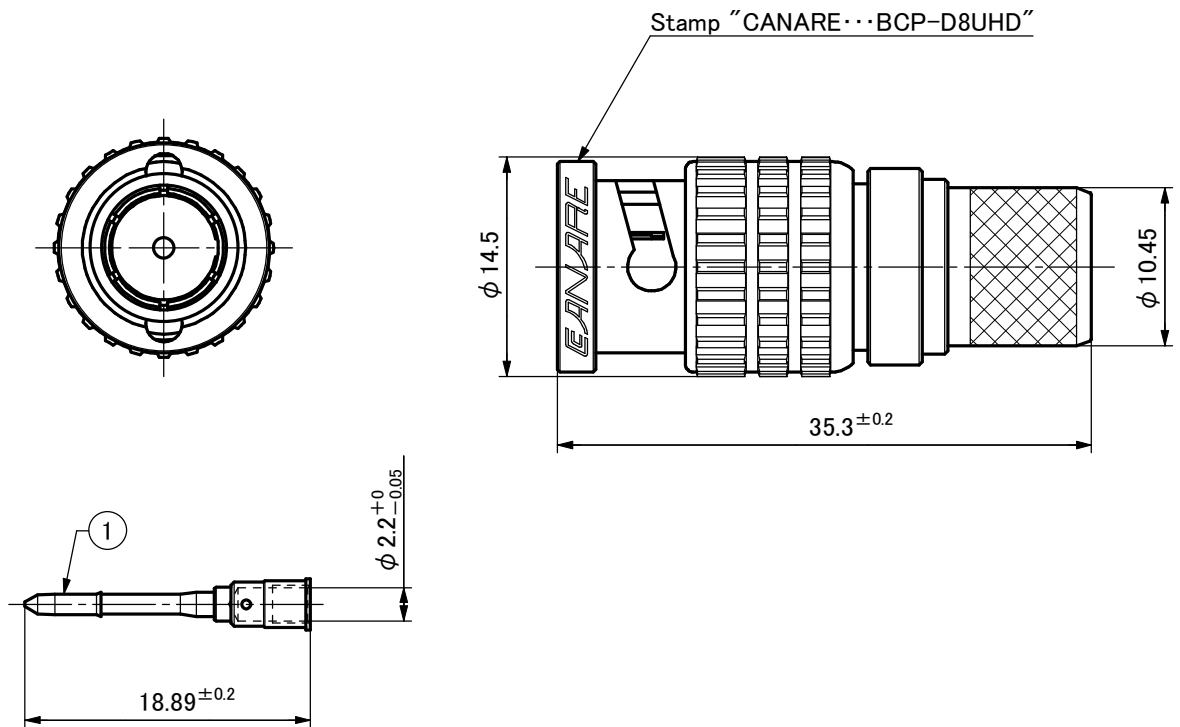
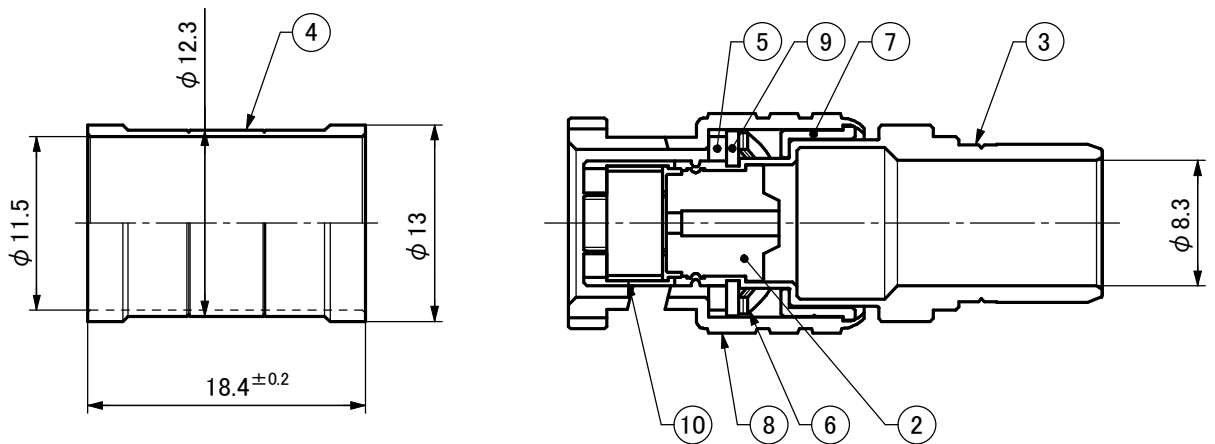


External Appearance



Construction



10	Inner Spring	1	Beryllium Copper	Nickel Plating					
9	Half-cut Washer	2	Brass	Nickel Plating					
8	Coupling Sleeve	1	Brass	Nickel Plating					
7	Washer	1	Brass	Nickel Plating					
6	Spring Washer	2	Beryllium Copper	Nickel Plating					
5	Gasket	1	Silicone Rubber	—					
4	Crimp Sleeve	1	Brass	Tin Plating					
3	Body	1	Brass	Nickel Plating					
2	Insulator	1	PTFE	—					
1	Male Center Contact	1	Brass	Gold Plating					
No.	Name of Parts	Pc(s).	Material	Finish					
Title	CRIMP TYPE 75Ω BNC PLUG	PJTN 	Unit mm	Sc. 2:1	Tol. ±0.1	Date 2018-10-17	Ver. 1.0	Model BCP-D8HD	No. BL539