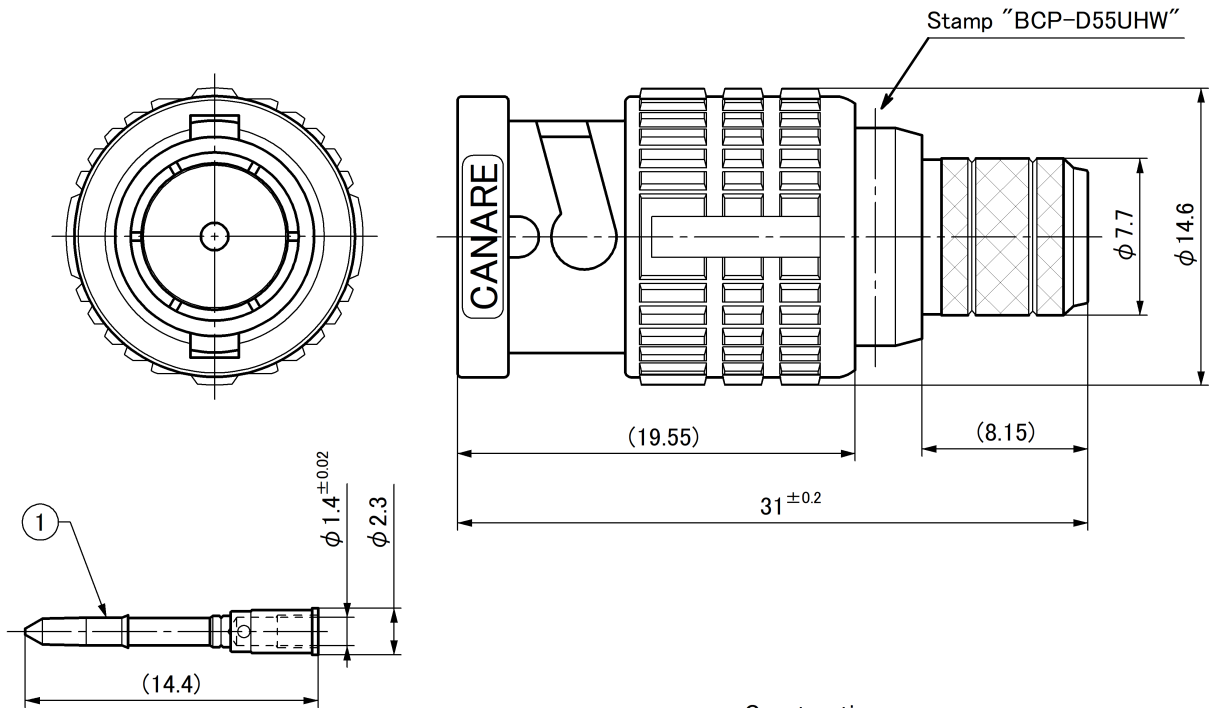
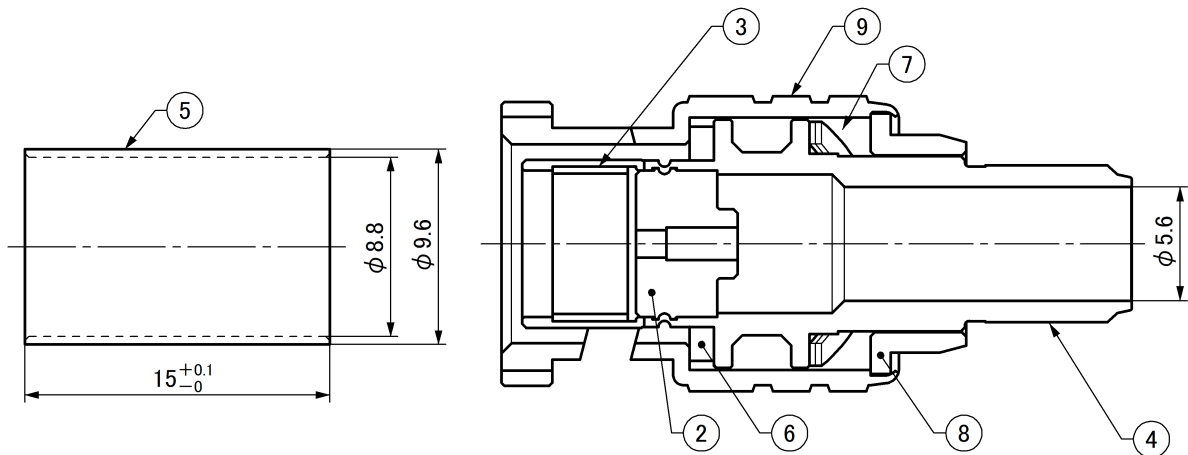


External Appearance



Construction



9	Coupling Sleeve	1	Zinc Alloy Die Casting	Nickel Plating
8	Washer	1	Brass	Nickel Plating
7	Spring Washer	2	Beryllium Copper	Nickel Plating
6	Gasket	1	Silicone Rubber	—
5	Crimp Sleeve	1	Copper	Tin Plating
4	Body	1	Brass	Nickel Plating
3	Inner Spring	1	Beryllium Copper	Nickel Plating
2	Insulator	1	PTFE	—
1	Male Center Contact	1	Brass	Gold Plating

No.	Name of Parts	Pc(s)	Material	Finish
-----	---------------	-------	----------	--------

Title	CRIMP TYPE	PJTN	Unit	Sc.	Tol.	Date	Ver.1.0	Model	No.
	75 Ω BNC PLUG		mm	2√2:1	±0.1	2020-11-26		BCP-D55UHW	BL586